

PRODUCT INFORMATION PACKET

Model No: 5K49MN6020

Catalog No: K1316

1/2 HP General Purpose Motor, 3 phase, 1200 RPM, 208-230/460 V, 56C Frame, TEFC
Three Phase TEFC Motors



Nameplate Specifications

Output HP	0.50 Hp	Output KW	0.37 kW
Frequency	60 Hz	Voltage	208-230/460 V
Current	2.6-2.6,1.3 A	Speed	1140 rpm
Service Factor	1.25	Phase	3
Efficiency	72 %	Power Factor	0
Duty	Continuous	Insulation Class	B
KVA Code	L	Frame	56C
Enclosure	Totally Enclosed Fan Cooled	Thermal Protection	N/R
Ambient Temperature	40 °C	Drive End Bearing Size	6203
Opp Drive End Bearing Size	6203	UL	Recognized
CSA	Yes	CE	N

Technical Specifications

Electrical Type	Three Phase	Starting Method	N/R
Poles	6	Rotation	Counterclockwise/Clockwise
Mounting	Round	Motor Orientation	ANY
Drive End Bearing	BALL	Opp Drive End Bearing	Ball
Frame Material	Rolled Steel	Overall Length	11.44 in
Frame Length	6.15 in	Shaft Diameter	0.630 in
Shaft Extension	1.88 in		
Connection Drawing	113A930FIG2	Outline Drawing	52A107814P1

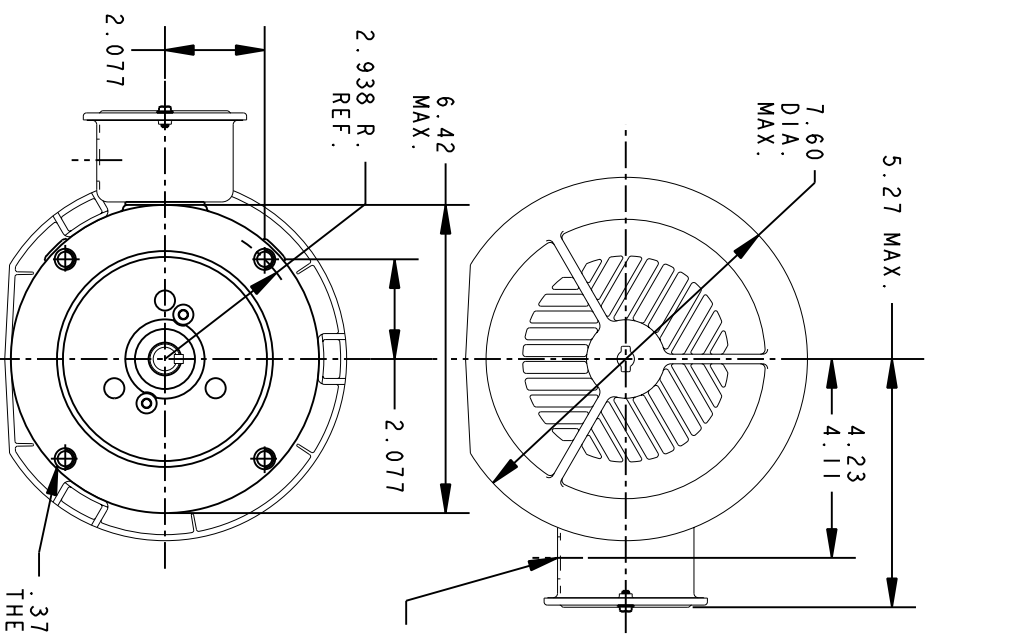
This is an uncontrolled document once printed or downloaded and is subject to change without notice. Date Created:03/11/2020

THIRD ANGLE PROJECTION

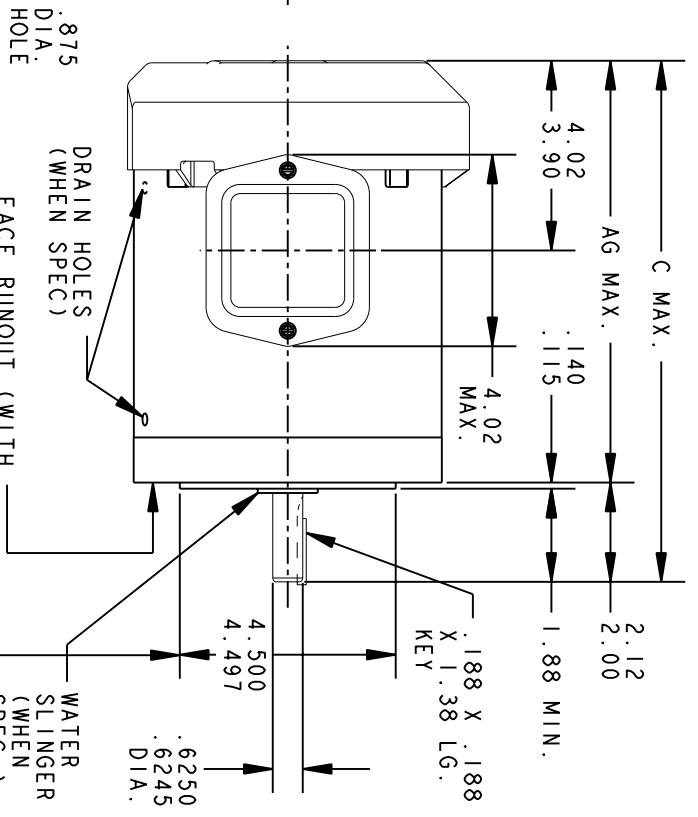


REVISIONS

REV.	DESCRIPTION	DATE	APPROVED
7	ADDED PART #6.	09/13/94	M.A.M.
8	CHG TO RBC FORMAT PER IS05-1777	03/03/06	SUDHA



VIEW OF P.E. END SHIELD



.375-16 UNC-2B (4 HOLES) .70 MIN. FULL THREAD DIA. AND 4 PINS .2917 DIA. LOCATED ON THE BASIC HOLE POSITIONS.

5	4	3	2	1	P
K	K	K	K	K	P
49	46	49	42	49	GE SIZE
56C	56C	56C	56C	56C	NEMA FR.
12.97	11.84	12.44	11.01	11.44	C
10.85	9.72	10.32	8.89	9.32	AG
7.68	6.55	7.15	5.72	6.15	MIN. SHELL
				6	P
				K	TYPE
				49	GE SIZE
				56C	NEMA FR.
				10.63	C
				8.51	AG
				5.34	MIN. SHELL



REGAL-BELOIT CORPORATION

TITLE OUTLINE

FMF - 40 FRAME REDESIGN - 5K49GN2008
 GENERAL PURPOSE MOTOR - TEFC - BALL BEARING - R2 END MOUNTED

FOR ADDITIONAL INFO REFER TO:	DETAIL	CHECKED	ENGRG	MFG	QUALITY
APPLIED PRACTICES	ISSUED	M.D. PAPER	07/28/94		
DIMENSIONS ARE IN INCHES	SOLID MODEL: 52A107814				

SCALE: 0.250	REF. No.:	SHEET 1 of 1
SIZE: DRAWING A	REV 8	

